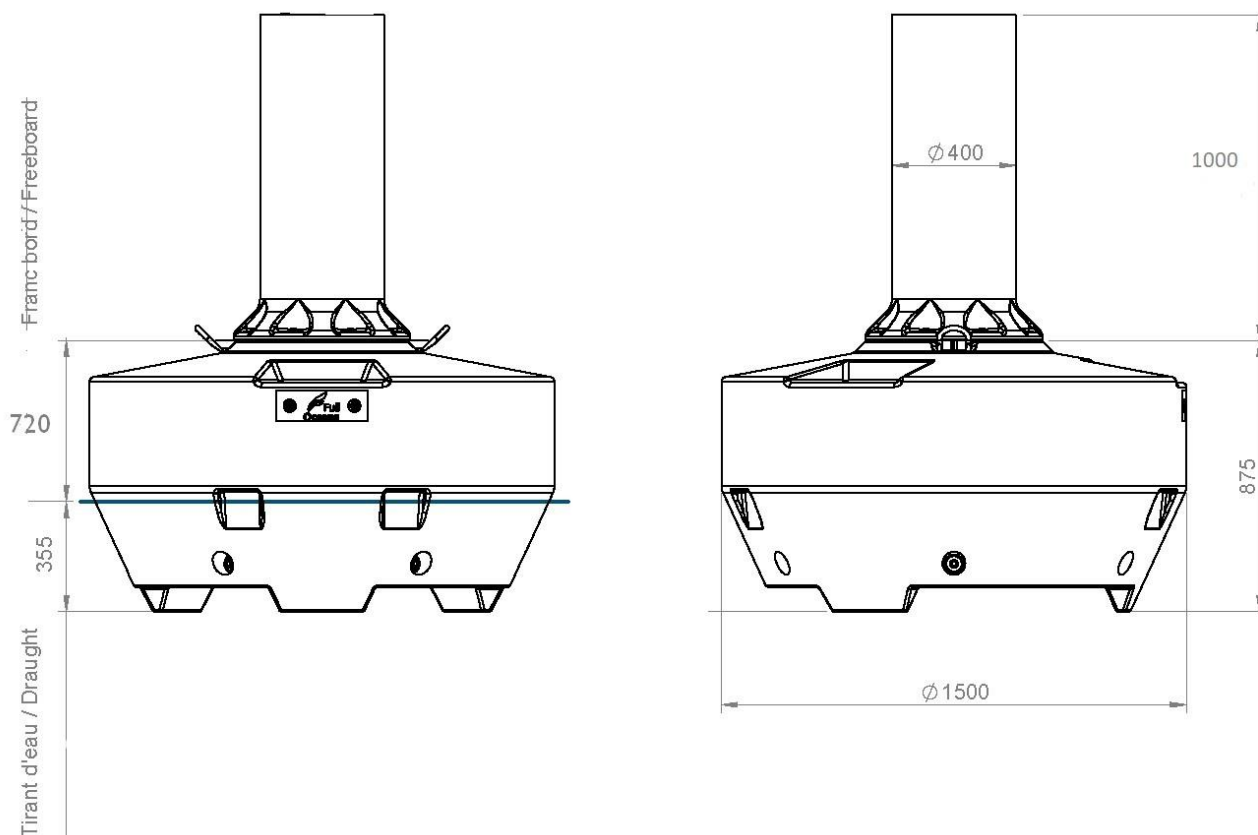


## FLC1500 buoy

Documentation Technique / Technical Documentation





Technical data	
<b>Diameter</b>	1500 mm
<b>Height (no topmark)</b>	1925 mm
<b>Volume</b>	987 l
<b>Draught</b>	355 mm
<b>Freeboard</b>	520 mm
<b>Mast</b>	1050 mm
<b>Weight with ballasts</b>	208 kg
<b>Submergence</b>	17 kg/cm
<b>Visible area</b>	From 1.3 m <sup>2</sup> (according to topmark configuration)
<b>Focal plane</b>	From 1760 mm with Carmanah M550, 1865 mm with Carmanah M650H

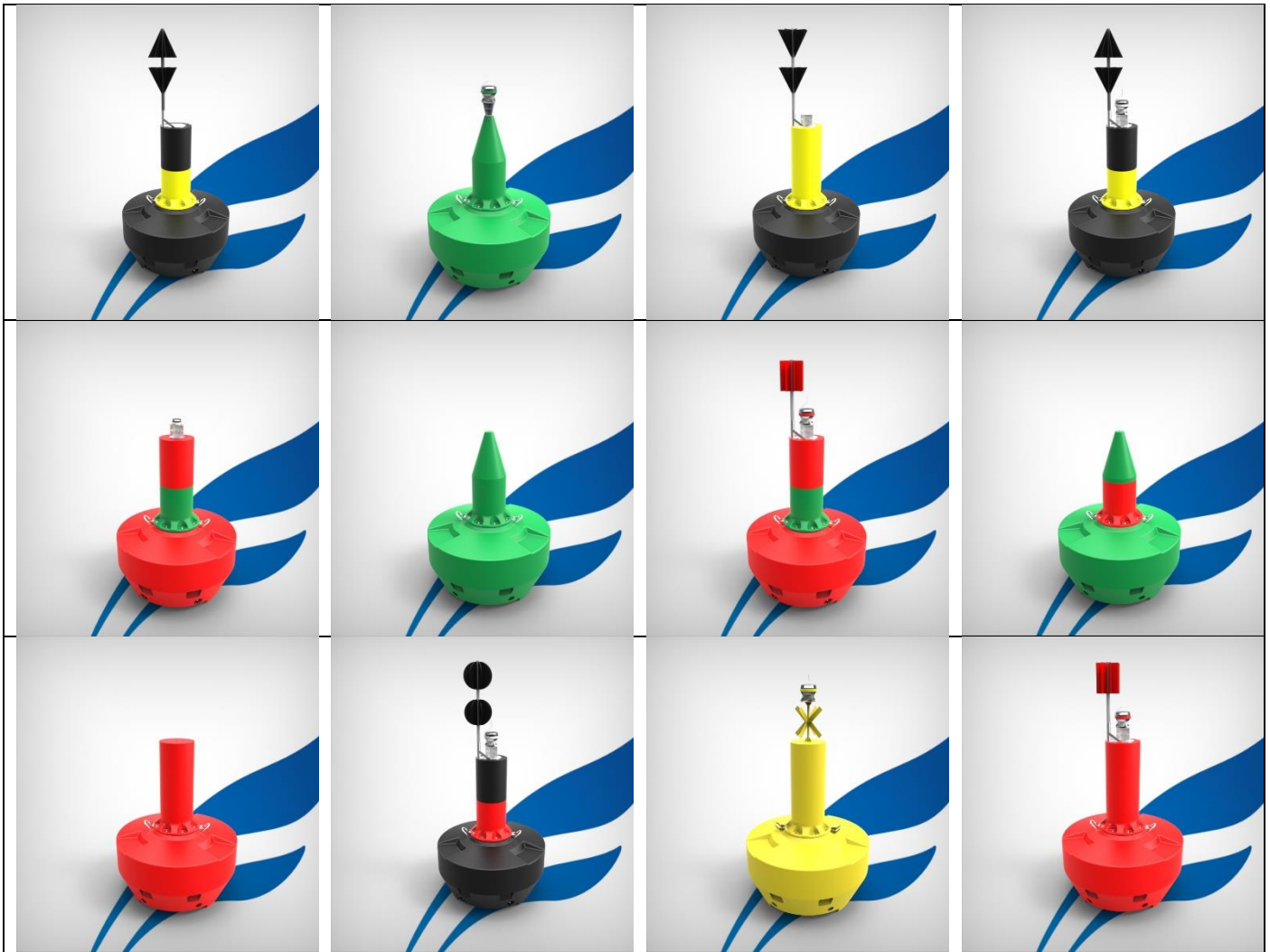
Materials	
<b>Structure, Lifting and Mooring Points</b>	S235 galvanized steel (SS316 option available)
<b>Float and mast:</b>	UV-stabilized Polyethylene high density. Rotational moulding
<b>Foam</b>	Polyurethane 40 kg/m <sup>3</sup>
<b>Colors</b>	Pigments matching IALA specifications directly integrated into the polyethylene during rotational moulding for no painting ever.
<b>Ballasts</b>	Cast Iron. Removable
<b>Topmark</b>	Brush type, PVC and nylon
<b>Radar Reflector</b>	Aluminium 5083/5086 marine grade
<b>Eco friendly</b>	Recyclable polyethylene. Heavy metal free. No ecological damages

Ø1500 SPECIFICATIONS						
Général / General		Matières / Materials		Quantité / Quantity	Dimensions (mm)	Masse / Weight (kg)
Diametre / Diameter (mm)	1500	Lest / Ballast	Fonte grise / Cast iron	6	181,3x143,4x113,3	14,71
Masse / Weight (kg)	208	Structure	Acier S235J2G3 galvanisée / galvanized steel S235J2G3	1	819,9x620,7x110	11,02
Volume (l)	986,5	Flotteur / Float	Polyéthylène haute densité / High density polyethylene	1	Ø1500x875 ep 8	53,59
Plan focal / Focal plane (mm)		Mousse / Foam	Polyuréthane 40 kg/m <sup>3</sup> / Polyurethane 40 kg/m <sup>3</sup>	1	-	35,98
Avec RER / With RAR + M550	1760	Mât / Mast	Polyéthylène haute densité / High density polyethylene	1	Ø570x1050xØ400 ep4	7,84
Avec RER / With RAR + M650H	1865	Voyant / Topmark	PVC rigide & nylon / Rigid PVC & nylon	option	250x810xØ40	2,74
*SER : Surface équivalente radar / Equivalent radar surface		Support de voyant / Topmark support	Aluminium 5083/5086 qualité marine / Aluminium marine grade 5083/5086	option	320x250x204	1,01
		Reflecteur radar / Radar reflector	Aluminium 5083/5086 qualité marine / Aluminium marine grade 5083/5086	option	Ø170x150 (*SER : 10m <sup>2</sup> )	0,84
		Feu / Lantern	CARMANAH M550	option	154x117x56	0,37
			CARMANAH M650H	option	176x170	1,58
		Visserie / Screws	-	1	-	3,7

Ø1500 MARQUES SPECIALES / SPECIAL MARKS SPECIFICATIONS						
Général / General		Matières / Materials		Quantité / Quantity	Dimensions (mm)	Masse / Weight (kg)
Diametre / Diameter (mm)	1500	Lest / Ballast	Fonte grise / Cast iron	6	181,3x143,4x113,3	14,71
Masse / Weight (kg)	208	Structure	Acier S235J2G3 galvanisée / galvanized steel S235J2G3	1	819,9x620,7x110	11,02
Volume (l)	986,5	Flotteur / Float	Polyéthylène haute densité / High density polyethylene	1	Ø1500x875 ep 8	53,59
Plan focal / Focal plane (mm)		Mousse / Foam	Polyuréthane 40Kg/m <sup>3</sup> / Polyurethane 40Kg/m <sup>3</sup>	1	-	35,98
Avec RER / With RAR + M550	2086	Mât / Mast	Polyéthylène haute densité / High density polyethylene	1	Ø570x1050xØ400 ep4	7,84
Avec RER / With RAR + M650H	2191	Voyant / Topmark	Aluminium qualité marine / marine grade 5083/5086 (surf. 0,5m <sup>2</sup> )	1	428x244x345	3,7
*SER : Surface équivalente radar / Equivalent radar surface		Feu / Lantern	CARMANAH M550	option	154x117x56	0,37
			CARMANAH M650H	option	176x170	1,58
		Visserie / Screws	-	1	-	3,7

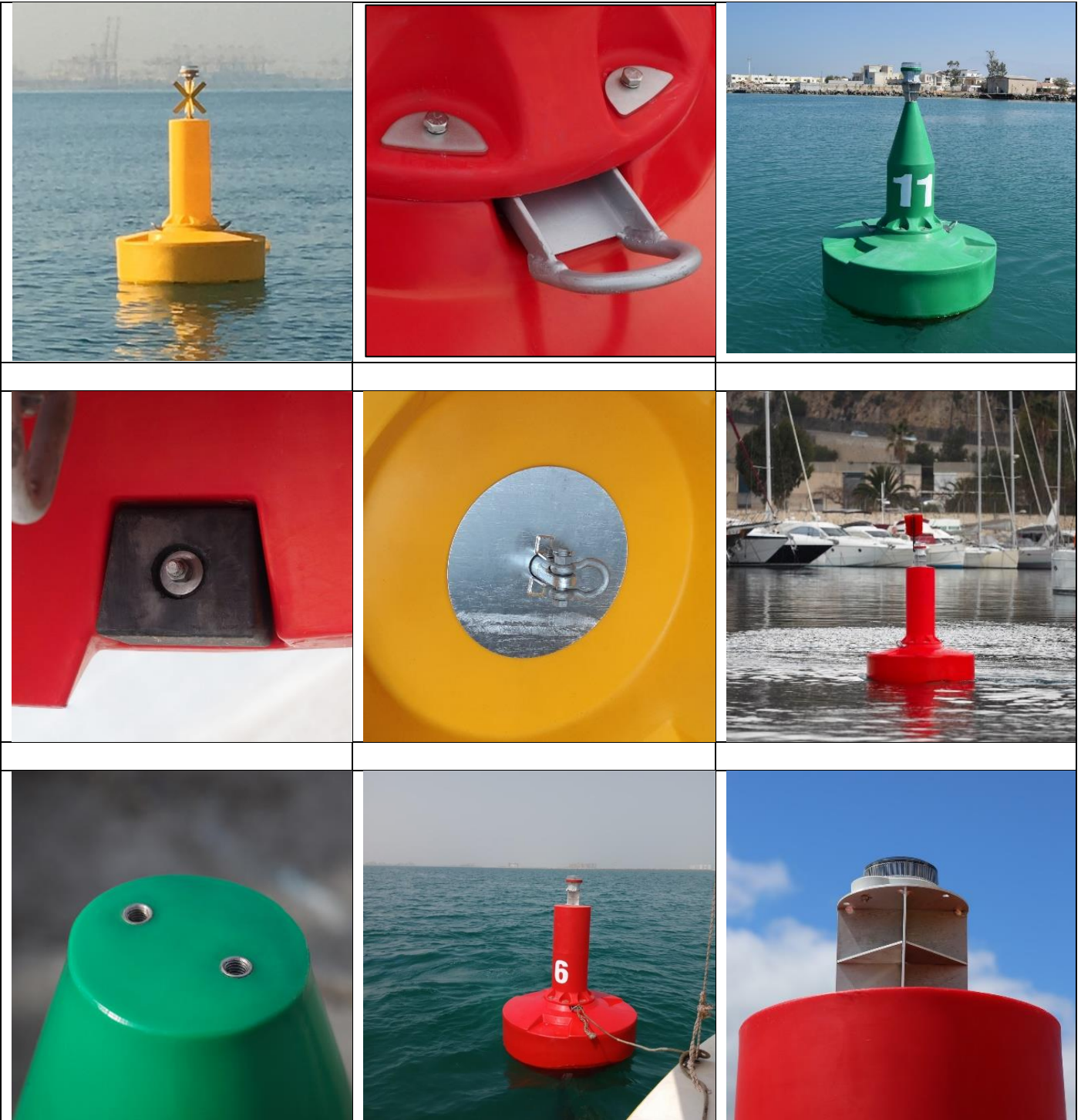
Ø1800 TOPMARKS SPECIFICATIONS						
Général / General		Matières / Materials		Quantité / Quantity	Dimensions (mm)	Masse / Weight (kg)
Topmark Brush Type	Voyant / Topmark Starboard-Porthand	PVC rigide & nylon / Rigid PVC & nylon	option	250 x 810 x Ø40	2,7	
	Voyant / Topmark Cardinal-Isolated Danger	PVC rigide & nylon / Rigid PVC & nylon	option	350x1120xØ40	4	
	Support de voyant / Topmark support	Aluminium 5083/5086 qualité marine / Aluminium marine grade 5083/5086	option	330x265x204	1	

**QUELQUES EXEMPLES AVEC OPTIONS / FEW EXEMPLES WITH OPTIONS**



Toutes les configurations possibles sur le site  
All available configurations on website

[www.fulloceans.com](http://www.fulloceans.com)



Toutes les configurations possibles sur le site  
All available configurations on website

[www.fulloceans.com](http://www.fulloceans.com)

[www.fulloceans.com](http://www.fulloceans.com)

info@fulloceans.com | Telephone: +33 (0)413 682 288

Head office: 171 bis, chemin de la Madrague Ville F-13002 Marseille - France

Manufacturing and warehouse facilities: Zone Industrielle Jean Malèze 25, rue Lavoisier F-47240 Bon-Encontre - France





Toutes les configurations possibles sur le site  
All available configurations on website

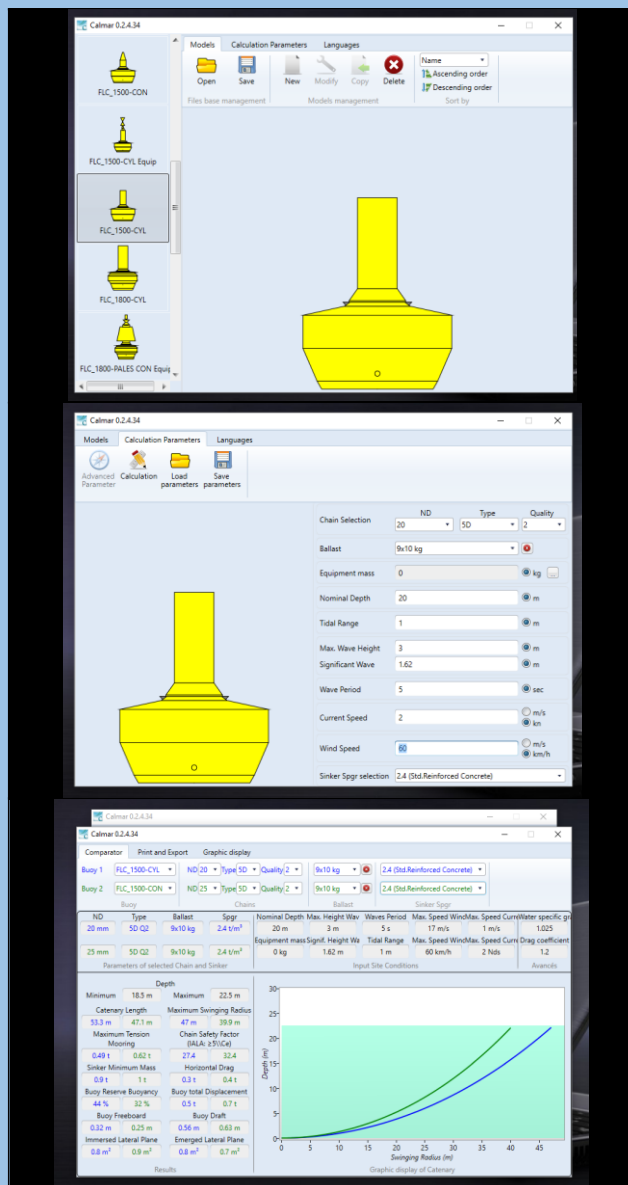
[www.fulloceans.com](http://www.fulloceans.com)

## CALCULATE YOUR MOORING SOLUTIONS WITH CALMAR

FullOceans recommends CALMAR the best software for the calculation of your mooring lines. CALMAR is fully adapted to FullOceans buoys, and permits to define the best mooring options according to sea conditions.

CALMAR is easy to use and available in 6 languages.

IALA had endorsed CALMAR as the leading mooring line calculation software.



### Choose your FullOceans model

- FLC1200
- FLC1500
- FLC1800
- FLC2200

### Enter the sea conditions

- Depth
- Tidal range
- Max wave height
- Max wind
- Wave period
- Current speed
- Wind speed

### Get mooring length and much more

- Mooring line length
- Tension
- Sinker mass
- Buoyancy reserve
- Freeboard
- Swinging radius
- Compare chain models
- And much more

Free Download of CALMAR on [www.fulloceans.com](http://www.fulloceans.com)