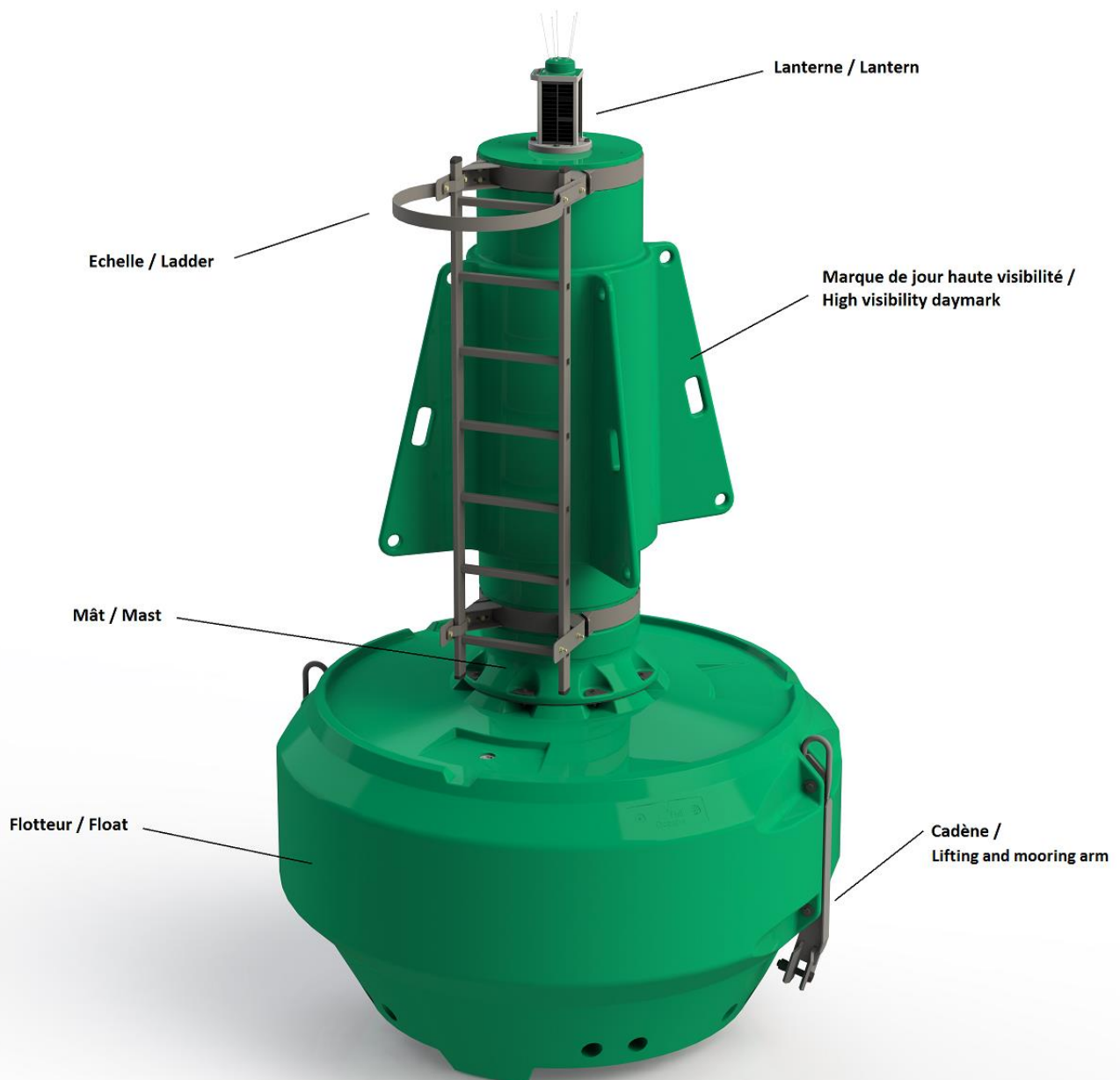
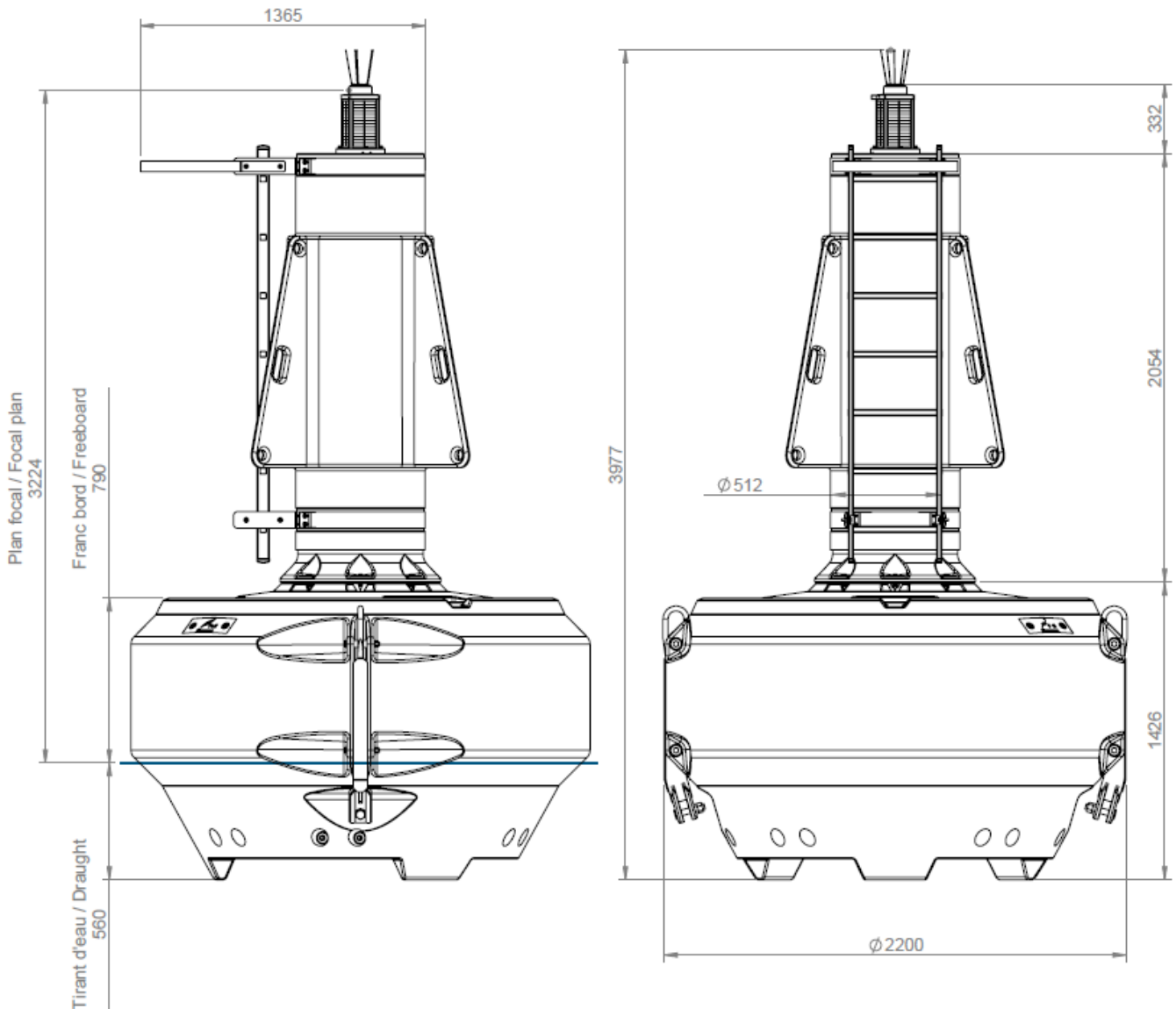


FLC2200

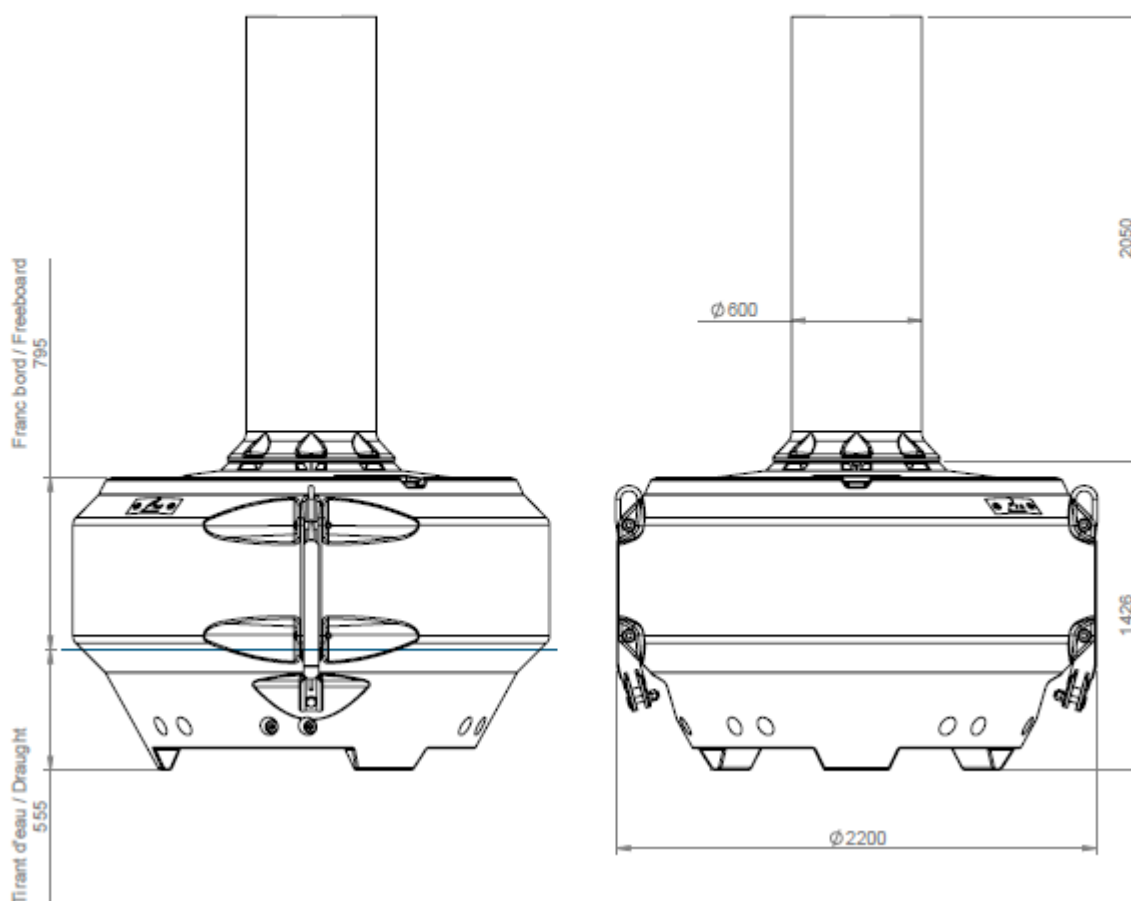
Documentation Technique / Technical Documentation





| Spécification générales General Specifications | | |
|---|----------------|-----|
| Masse / Weight | kg | 766 |
| Surface Visible / Visible Area | m ² | 3,9 |
| Flottabilité / Submergence | kg /cm | 33 |

| Spécifications matière Material specifications | |
|---|--|
| Structure / Structure | Acier S235 galvanisé / S235 steel galvanized |
| Flotteurs / Floats | PE Icorene 3575 / Icorene 3575 PE |
| Mât / Mast | PE Icorene 3575 / Icorene 3575 PE |
| Voyant Passif / Top Mark | PVC rigide & nylon / Rigid PVC & Nylon |
| Réflecteur Radar / Radar Reflector | Aluminium 5083/5086 marine grade / Aluminium marine grade 5083/5086 |
| Lest / Ballast | Fonte grise / Cast iron |



| Spécification générales General Specifications | | |
|---|----------------|-----|
| Masse / Weight | kg | 730 |
| Surface Visible / Visible Area | m ² | 3,8 |
| Flottabilité / Submergence | kg /cm | 33 |

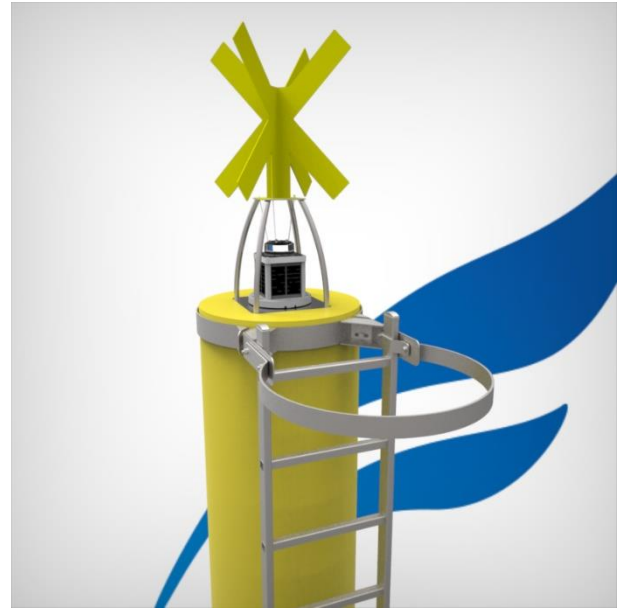
| Spécifications matière Material specifications | |
|---|--|
| Structure / Structure | Acier S235 galvanisé / S235 steel galvanized |
| Flotteur / Float | PE Icorene 3575 / Icorene 3575 PE |
| Mât / Mast | PE Icorene 3575 / Icorene 3575 PE |
| Réflecteur Radar / Radar Reflector | Aluminium 5083/5086 marine grade / Aluminium marine grade 5083/5086 |
| Lest / Ballast | Fonte grise / Cast iron |
| Lifting/Mooring points | Acier S235 galvanisé / S235 steel galvanized |

| Ø2200 SPECIFICATIONS | | | | | | |
|-------------------------------|--------|--|---|---------------------|----------------------|---------------------|
| Général / General | | Matières / Materials | | Quantité / Quantity | Dimensions (mm) | Masse / Weight (kg) |
| Diametre / Diameter (mm) | 2200 | Lest / Ballast | Fonte grise / Cast iron | 6 | 400x220x105 | 50 |
| Masse / Weight (kg) | 724,56 | Fixation Mât / Mast + Base | Acier S235J2G3 galvanisée / galvanized steel S235J2G3 | 1 | (760x76) & (430x175) | 30,81 |
| Volume (l) | 3335 | Cadène / Lifting - mooring points | Acier S355J2G3 galvanisée / galvanized steel S355J2G3 | 2 | 1041x167x108 | 15,88 |
| Plan focal / Focal plane (mm) | | Flotteur / Float | Polyéthylène haute densité / High density polyethylene | 1 | Ø2200x1420 ep 12 | 195,42 |
| Carmanah M650 | 3065 | Mousse / Foam | Polyuréthane 40Kg/m ³ / Polyurethane 40Kg/m ³ | 1 | - | 121,47 |
| Carmanah M850 | 3115 | Mât / Mast | Polyéthylène haute densité / High density polyethylene | 1 | Ø770x2050xØ600 ep6 | 28,52 |
| Carmanah M860 | 3220 | Fixation Feu / Lantern (for M650 only) | Polyéthylène haute densité / High density polyethylene | option | Ø230x10 | 0,39 |
| | | Feu / Lantern | CARMANAH M650 | option | 176x170 | 1,58 |
| | | | CARMANAH M850 | option | 235x226 | 5,3 |
| | | | CARMANAH M860 | option | 235x328 | 10,2 |
| | | Visserie / Screws, bolts | - | 1 | - | 11,28 |

| Ø2200 SPECIFICATIONS HAUTE VISIBILITE HIGH VISIBILITY | | | | | | |
|---|--------|---|---|---------------------|----------------------|---------------------|
| Général / General | | Matières / Materials | | Quantité / Quantity | Dimensions (mm) | Masse / Weight (kg) |
| Diametre / Diameter (mm) | 2200 | Lest / Ballast | Fonte grise / Cast iron | 6 | 400x220x105 | 50 |
| Masse / Weight (kg) | 765,74 | Fixation Mât / Mast + Base | Acier S235J2G3 galvanisée / galvanized steel S235J2G3 | 1 | (760x76) & (430x175) | 30,81 |
| Volume (l) | 3370 | Cadène / Lifting - mooring points | Acier S355J2G3 galvanisée / galvanized steel S355J2G3 | 2 | 1041x167x108 | 15,88 |
| Plan focal / Focal plane (mm) | | Flotteur / Float | Polyéthylène haute densité / High density polyethylene | 1 | Ø2200x1420 ep 12 | 195,42 |
| Carmanah M650 | 3065 | Mousse / Foam | Polyuréthane 40Kg/m ³ / Polyurethane 40Kg/m ³ | 1 | - | 121,47 |
| Carmanah M850 | 3115 | Mât / Mast | Polyéthylène haute densité / High density polyethylene | 1 | Ø770x2050xØ600 ep6 | 28,52 |
| Carmanah M860 | 3220 | Marque de jour Haute visibilité / High visibility Daymark | Polyéthylène haute densité / High density polyethylene | 1 | 1500x1900 | 27,67 |
| | | Fixation Feu / Lantern (for M650 only) | Polyéthylène haute densité / High density polyethylene | option | Ø230x10 | 0,39 |
| | | Feu / Lantern | CARMANAH M650 | option | 176x170 | 1,58 |
| | | | CARMANAH M850 | option | 235x226 | 5,3 |
| | | | CARMANAH M860 | option | 235x328 | 10,2 |
| | | Visserie / Screws, bolts | - | 1 | - | 9,03 |

| Ø2200 TOPMARKS SPECIFICATIONS | | | | | | |
|---------------------------------|-------------------------------------|----------------------|---|---------------------|-----------------|---------------------|
| Général / General | | Matières / Materials | | Quantité / Quantity | Dimensions (mm) | Masse / Weight (kg) |
| Topmark Powder coated Aluminium | Voyant / Topmark Starboard | | Powder coated Aluminium | option | 550x654 | 2,5 |
| | Voyant / Topmark Porthand | | Powder coated Aluminium | option | 550x690 | 3 |
| | Voyant / Topmark Cardinal | | Powder coated Aluminium | option | 550x1304 | 5 |
| | Voyant / Topmark Isolated danger | | Powder coated Aluminium | option | 550x1398 | 5 |
| | Voyant / Topmark Saint Andrew Cross | | Powder coated Aluminium | option | 550x550 | 3 |
| | Support de voyant / Topmark support | | Aluminium 5083/5086 qualité marine / Aluminium marine grade 5083/5086 | option | 300x300x338 | 2 |

QUELQUES EXEMPLES AVEC OPTIONS / FEW EXEMPLES WITH OPTIONS



Toutes les configurations possibles sur le site
All available configurations on website

www.fulloceans.com

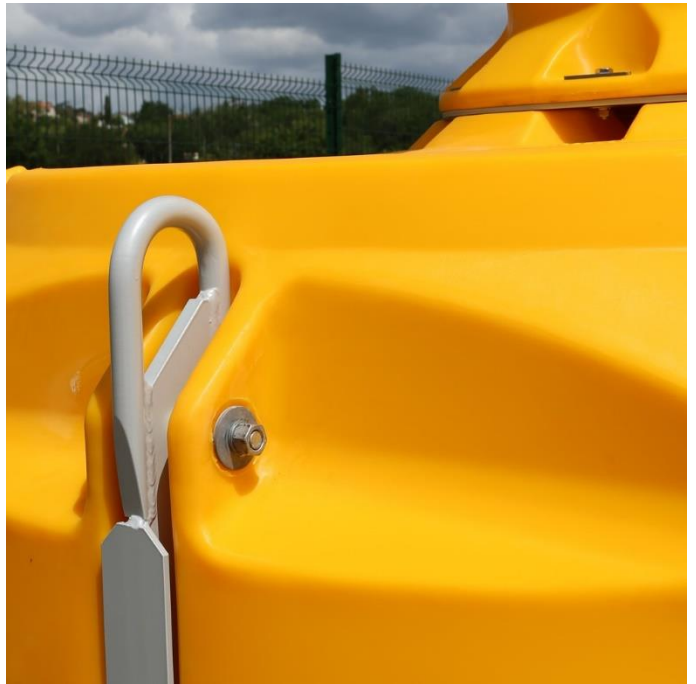
www.fulloceans.com

info@fulloceans.com | Fax: +33 (0)485 79 85 82 | Telephone: +33 (0)485 79 85 00

Head office: 171 bis, chemin de la Madrague Ville F-13002 Marseille - France

Manufacturing and warehouse facilities: Zone Industrielle Jean Malèze 25, rue Lavoisier F-47240 Bon-Encontre - France

| | |
|------------|-----|
| Ref. | DC1 |
| 2016/11/23 | |





Toutes les configurations possibles sur le site
All available configurations on website

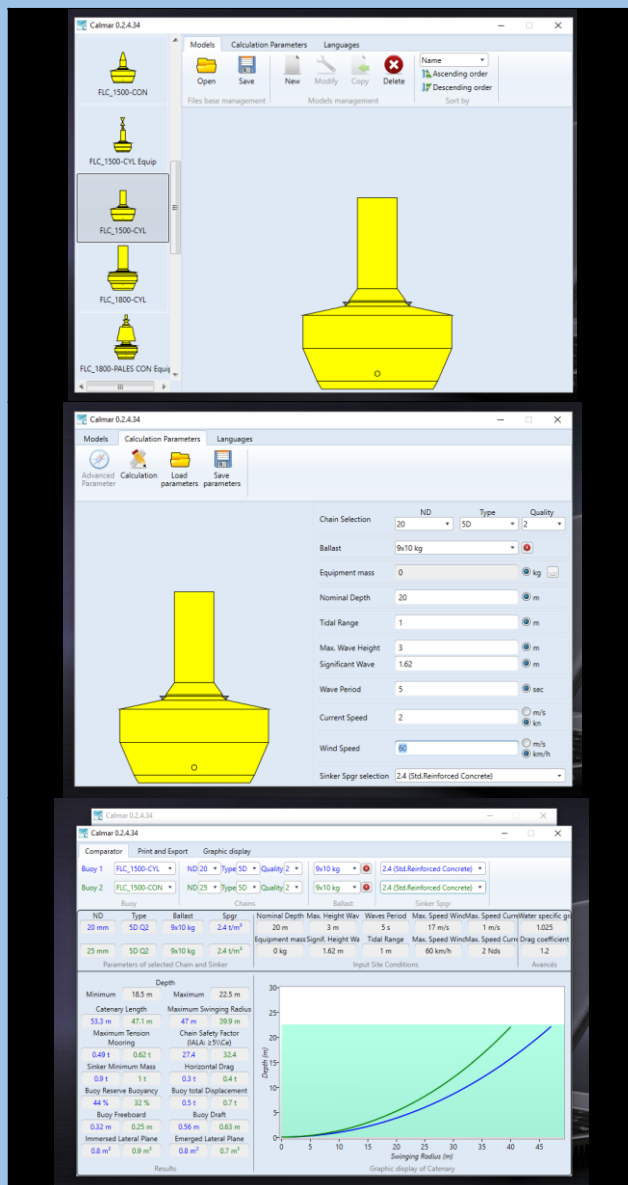
www.fulloceans.com

CALCULATE YOUR MOORING SOLUTIONS WITH CALMAR

FullOceans recommends CALMAR the best software for the calculation of your mooring lines. CALMAR is fully adapted to FullOceans buoys, and permits to define the best mooring options according to sea conditions.

CALMAR is easy to use and available in 6 languages.

IALA had endorsed CALMAR as the leading mooring line calculation software.



Choose your FullOceans model

- FLC1200
- FLC1500
- FLC1800
- FLC2200

Enter the sea conditions

- Depth
- Tidal range
- Max wave height
- Max wind
- Wave period
- Current speed
- Wind speed

Get mooring length and much more

- Mooring line length
- Tension
- Sinker mass
- Buoyancy reserve
- Freeboard
- Swinging radius
- Compare chain models
- And much more

Free Download of CALMAR on www.fulloceans.com