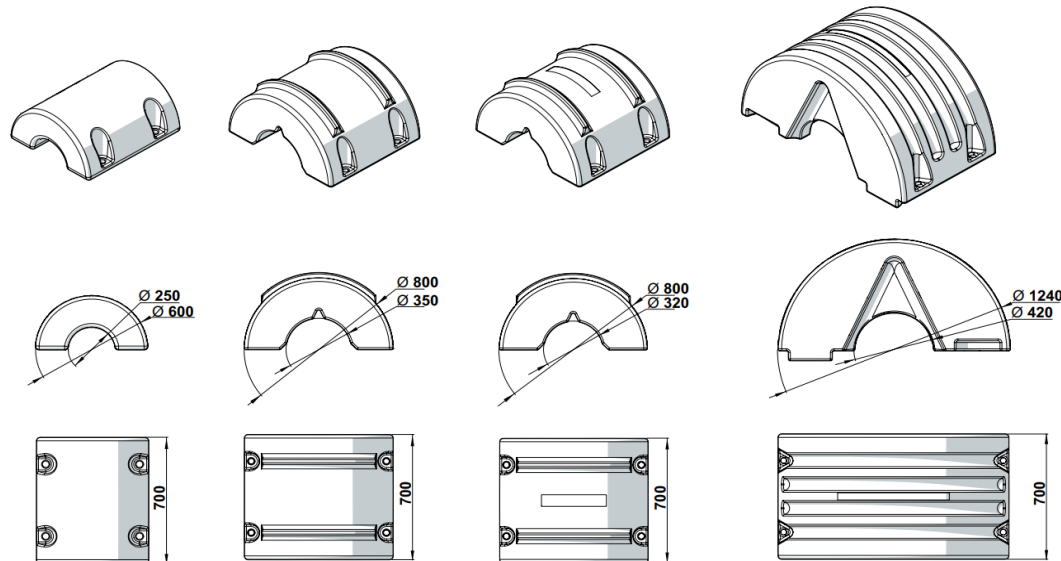


Rotomolded with UV resistant polyethylene

Fixation with bolts in stainless steel

Available in yellow, red, green

| REF.      | External Dia. (mm) | Internal dia. (mm) | Wide (mm) | Weight - hollow (kg) | Volume (m3) |
|-----------|--------------------|--------------------|-----------|----------------------|-------------|
| PF60/18   | 600                | 180                | 700       | 20                   | 0,165       |
| PF60/20   | 600                | 200                | 700       | 20                   | 0,165       |
| PF60/22   | 600                | 220                | 700       | 20                   | 0,165       |
| PF60/25   | 600                | 250                | 700       | 20                   | 0,165       |
| PF60/28   | 600                | 280                | 700       | 20                   | 0,145       |
| PF60/30   | 600                | 300                | 700       | 20                   | 0,135       |
| PF60/31.5 | 600                | 315                | 700       | 20                   | 0,135       |
| PF80/28   | 800                | 280                | 700       | 20                   | 0,132       |
| PF80/32   | 800                | 320                | 700       | 20                   | 0,13        |
| PF80/35   | 800                | 350                | 700       | 34                   | 0,27        |
| PF124/42  | 1240               | 420                | 700       | 56                   | 0,7         |
| PF124/50  | 1240               | 500                | 700       | 58                   | 0,68        |
| PF124/55  | 1240               | 550                | 700       | 58                   | 0,65        |



More information on [www.fulloceans.com](http://www.fulloceans.com)

Flexible floats  
 Rotomolded with UV resistant polyethylene  
 Fixation with bridge in stainless steel  
 Available in yellow, red, green

| REF.      | External Dia. (mm) | Internal dia. (mm) | Wide (mm) | Weight - hollow (kg) | Volume (m3) |
|-----------|--------------------|--------------------|-----------|----------------------|-------------|
| FD170/65  | 1700               | 650                | 700       | 120                  | 1,04        |
| FD170/70  | 1700               | 700                | 700       | 120                  | 1,04        |
| FD170/76  | 1700               | 780                | 700       | 120                  | 1,03        |
| FD200/87  | 1920               | 870                | 700       | 160                  | 1,5         |
| FD200/98  | 2000               | 980                | 700       | 160                  | 1,5         |
| FD220/98  | 2200               | 980                | 700       | 180                  | 1,8         |
| FD220/106 | 2200               | 1060               | 700       | 180                  | 1,8         |

